

OPERATING INSTRUCTIONS



FISHER®

RS-727

**AV Surround Stereo Receiver
with RRS-737
Wireless Remote Control**



Studio-Standard®

THESE OPERATING INSTRUCTIONS ARE WRITTEN IN ENGLISH.

NOTE: Locate serial number (shown on rear panel of unit) and record it here → _____

TABLE OF CONTENTS

Safety Tips.....	2
Accessories.....	3
Antennas	
AM Antenna.....	4
FM Antenna.....	5
Connections.....	6
Connecting Diagram.....	7
Speaker Connections.....	8
Typical Audio/Video System Connection Diagram.....	9
Speaker Placement.....	10
Front Panel Layout.....	11
Basic Operation	
Function Buttons and Indicators.....	12
Display Panel.....	13
Rear Panel Layout.....	14
Remote Control	
Remote Control Layout.....	15
Remote Control Battery Installation.....	16
Remote Control Operation and Compatibility.....	17
Detailed Operation	
Dolby Pro Logic	
Dolby Pro Logic Mode Selection.....	18
Dolby Test Tone.....	18
Center and Surround Level Adjustments.....	18
Tuner Operation.....	19
Listening To Other Sources	
Listening To Records.....	20
Listening To Compact Discs.....	20
Listening To Tapes.....	20
Listening With Headphones.....	20
Recording	
Recording With a Cassette Deck.....	21
Dubbing With Two Cassette Decks.....	21
Recording With A VCR.....	21
Video Dubbing (From Video-2 to Video-1).....	21
Recording With Separate Video and Audio Sources.....	21
Troubleshooting Guide.....	22
Specifications.....	23
Warranty.....	32



FISHER®

RS-727



CAUTION

RISK OF ELECTRIC SHOCK.
DO NOT OPEN!



**CAUTION: TO REDUCE THE RISK OF ELECTRIC SHOCK,
DO NOT REMOVE COVER.
NO USER-SERVICEABLE PARTS INSIDE.
REFER SERVICING TO QUALIFIED SERVICE PERSONNEL.**



This symbol indicates that dangerous voltage constituting a risk of electric shock is present within this unit.



This symbol indicates that there are important operating and maintenance instructions in the literature accompanying this unit.



AUDIO
EQUIPMENT

E85649

LL44482

WARNING!

TO AVOID THE HAZARDS OF FIRE OR ELECTRICAL SHOCK, DO NOT EXPOSE THIS APPLIANCE TO RAIN OR OTHER MOISTURE.

CAUTION: Changes or modifications not expressly approved by the party responsible for compliance could void the user's authority to operate the equipment.

NOTE: This equipment has been tested and found to comply with the limits for a Class B digital device, pursuant to Part 15 of the FCC Rules. These limits are designed to provide reasonable protection against harmful interference in a residential installation. This equipment generates, uses and can radiate radio frequency energy and, if not installed and used in accordance with the instructions, may cause harmful interference to radio communications. However, there is no guarantee that interference will not occur in a particular installation. If this equipment does cause harmful interference to radio or television reception, which can be determined by turning the equipment off and on, the user is encouraged to try to correct the interference by one or more of the following measures:

- Reorient or relocate the receiving antenna.
- Increase the separation between the equipment and receiver.
- Connect the equipment into an outlet on a circuit different from that to which the receiver is connected.
- Consult the dealer or an experienced radio/TV technician for help.

Note to CATV system installer:

Article 820-40 of the NEC that provides guidelines for proper grounding and in particular, specifies that the cable ground shall be connected to the grounding system of the building, as close to the point of cable entry as practical.

CAUTION: TO PREVENT ELECTRIC SHOCK, MATCH WIDE BLADE OF PLUG TO WIDE SLOT, FULLY INSERT

SAFETY TIPS

1. Location:

For safe and satisfactory operation, keep the following in mind when selecting a location to install the receiver.

- Do not place the unit in direct sunlight or near sources of extreme heat.
- Avoid dusty or extremely humid locations.
- Select a location with sufficient ventilation to allow for proper heat dissipation.

2. When handling the power cord:

- Do not handle the power cord with wet hands.
- Do not pull on the power cord when disconnecting it from the AC wall outlet. Grasp it at the plug.

3. Built-in AC outlets:

The SWITCHED AC outlets on the rear panel of the receiver have a total power rating of 100W maximum. They are designed for connecting other audio system units only. They should never be used as a power source for household electrical appliances.

4. Avoiding the hazards of electrical shock or fire:

If a liquid is spilled into the receiver, unplug the power cord immediately and have the unit serviced by FISHER-authorized personnel.

5. Do not drop metal or other objects into the receiver.

Needles, coins and other electrically conductive materials may cause problems if they get into the receiver.

6. When changing connections:

Be certain to switch off the power and unplug the power cord when changing connections. This precaution is necessary to protect the speakers and other components, which can be damaged by a sudden increase in input level.

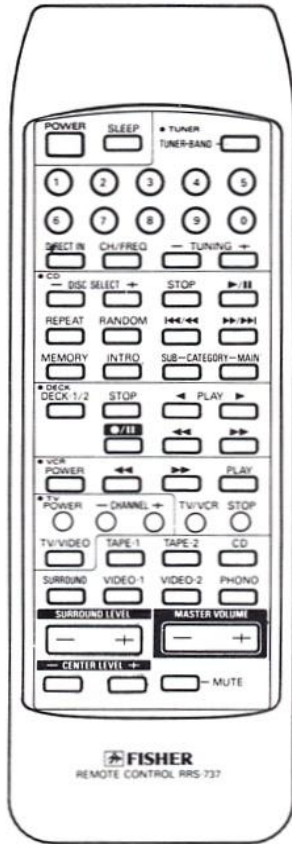
7. Do not place anything directly on top of the receiver.

After operating the receiver for a prolonged period of time at a high power output, the temperature inside the receiver will rise. Heat dissipation should not be obstructed. Attention should also be paid to good ventilation when selecting the location for installation.

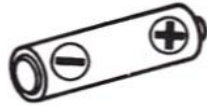
8. Cleaning:

Wipe the front panel and other exterior surfaces of the receiver with a soft, dry cloth. Stains should be removed by wiping the surfaces with a soft cloth immersed in lukewarm water and wrung dry. Never use solvents or alcohol. These chemicals will damage the finish.

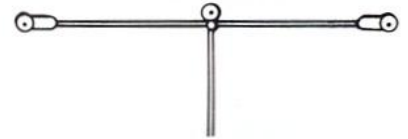
ACCESSORIES



RRS-737 wireless remote control
Part No. 058582000061



AA size battery
Carbon-Zinc
(1.5 volt)
Quantity: 2
Part No. 5518001610



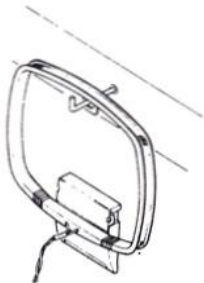
FM dipole antenna
Part No. 4348000320



AM loop antenna
Part No. 2608207361

Mounting the AM Loop Antenna

On a window frame



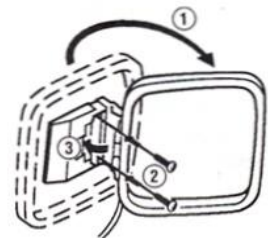
Hang in the direction which gives the best reception.

On a shelf



Find the direction in which reception is best.

On a wall or cabinet



Attach to the wall or a cabinet using two screws (not supplied).

ANTENNAS

AM ANTENNAS

AM Loop Antenna

Use the AM loop antenna supplied with the receiver for the reception of AM radio stations. Unless radio signals are very weak, no external antenna is necessary.

Mount the AM loop antenna in the supplied antenna holder and connect the wires to the ANTENNA terminals on the receiver. Then while listening to an AM broadcast, position the AM loop antenna for best reception (Figure 2).

If satisfactory AM reception cannot be obtained, mount the antenna to a wall or the back of a component cabinet using two screws (not supplied). Position the antenna where the best reception is obtained.

IMPORTANT NOTE:

Keep all speaker, audio, remote control and power cables away from the AM loop antenna.

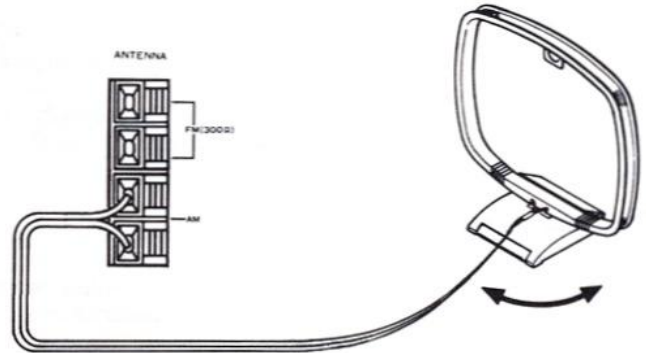


Figure 2

CAUTION: The antenna connection diagrams below are for illustration purposes only. Refer to "SAFETY INSTRUCTIONS" for the proper antenna installation procedures.

Outdoor AM Antenna

To receive weak AM signals in remote areas, or if the receiver is located inside a steel-reinforced concrete building, the installation of a single-wire, outdoor AM antenna is recommended.

Refer to Figure 3.

- Install an insulated wire, about 30 feet long. An antenna of this kind will pick up radio signals too weak for the AM loop antenna to receive.
 - A single-wire antenna stretched along an eave of a house will also produce good results.
- Connect the lead from the antenna to the ANTENNA terminal marked "AM" on the receiver.
- When using an outdoor AM antenna, connect a ground wire to another ANTENNA terminal on the receiver.

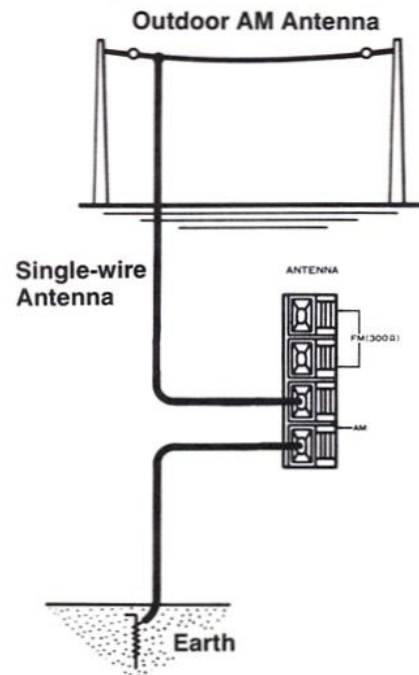


Figure 3

FM ANTENNAS

For the best FM sound quality, it is necessary to install an appropriate type of antenna. Consideration should be given to the signal strength of the broadcast station and the surrounding conditions.

Indoor FM Antenna

For nearby FM stations:

Use the FM dipole antenna supplied with the receiver for the reception of local stations.

NOTE:

Every antenna has a directional characteristic (its ability to pick up signals varies according to its orientation).

Spread the T-section of the FM dipole antenna. Rotate it in order to determine the best signal-receiving position and then install it in that position.

Outdoor FM Antenna

In areas relatively near FM stations:

In case the supplied FM dipole antenna fails to eliminate noise interference, or if you want to pick up signals from distant stations, install a multi-element outdoor antenna.

Directional characteristics of outdoor FM antennas:

The more elements an FM antenna has, the more sensitive and directional it is. This type of antenna must be positioned accurately for the best reception of a particular broadcast station.

NOTE:

Generally, the sensitivity of an outdoor FM antenna is proportional to the number of its elements. This should be considered when selecting an FM antenna.

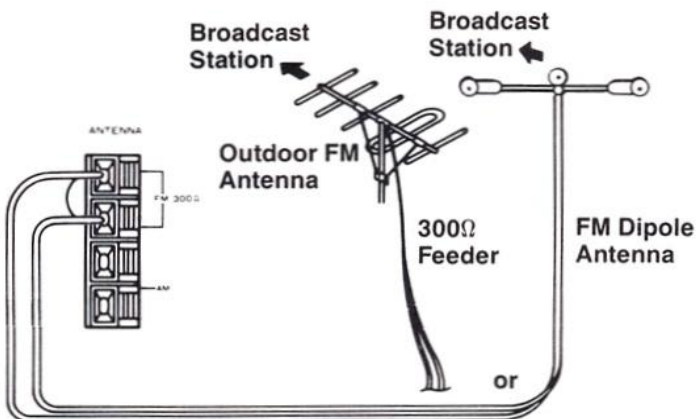
Multipath Distortion

A mountain or high-rise building will reflect FM radio waves. If this happens near an FM antenna, the reflected radio waves may interfere with the radio waves reaching the antenna directly, causing noise and sound interference. This is called multipath distortion. This problem can be reduced or eliminated by accurately positioning the FM antenna.

General Information On FM Antennas For Outdoor Installation

Keep the following in mind when installing an FM antenna outdoors:

- 1) Install the antenna away from road traffic and place the antenna as high above the ground as possible.
- 2) Determine the best antenna position in relation to nearby buildings and trees.
- 3) Keep the antenna away from high-voltage power lines.



Connecting An FM Antenna

a) FM Dipole Antenna (supplied)

or

b) 300Ω Outdoor FM Antenna

Figure 4

IMPORTANT . . . This AV Surround Stereo Receiver was developed by FISHER to give you many years of enjoyment. Please read the following instructions carefully. They have been prepared to assist you during the initial set-up procedure and to assure you of optimum performance at all times.

THE WARRANTY ON THIS UNIT DOES NOT COVER DAMAGE CAUSED BY MISHANDLING OR MISUSE.

CONNECTIONS

CAUTION:

- Do not plug the power cord from the receiver into an AC wall outlet until after all connections have been made.
- Do not place other components on top of the receiver.
- Refer to the "ANTENNAS" section (pages 4 and 5) for proper antenna installation.

- Be sure to make the correct speaker connections paying attention to the L (Left Channel) and R (Right Channel) and the (+) and (-) marks.
- Loose or incorrect connections will result in poor sound or improper operation.

1. Connect the supplied FM dipole antenna to the ANTENNA terminals marked "FM (300Ω)" on the receiver as shown in Figure 5.
2. Connect the supplied AM loop antenna to the ANTENNA terminals marked "AM" on the receiver as shown in Figure 5.
3. Connect the audio cable from the turntable to the PHONO jacks on the receiver as shown in Figure 5.
 - Be sure to pay attention to the L and R labels.
 - Connect the white plug to the L (Left) jack and the red plug to the R (Right) jack.

IMPORTANT NOTE:

Be sure to connect the ground wire from the turntable to the GND (Ground) terminal on the receiver, as shown in Figure 5.

4. Connect the audio cable supplied with the CD player or CD changer to the CD jacks on the receiver as shown in Figure 5.
 - Be sure to pay attention to the L and R labels.
 - Connect the white plugs to the L (Left) jacks and the red plugs to the R (Right) jacks.
5. Connect the audio cables supplied with the cassette deck to the TAPE 1 jacks on the receiver as shown in Figure 5.
 - Be sure to pay attention to the REC OUT, PLAY IN, L and R labels.
 - Connect the white plugs to the L (Left) jacks and the red plugs to the R (Right) jacks.
6. When using a compatible Fisher CD player, CD changer or cassette deck, connect the remote control cables supplied with the above units as shown in Figure 5.

7. Eight terminals are provided for two pairs of MAIN speakers, SYSTEM-A and SYSTEM-B. If only one pair of speakers is used, connect them to the SYSTEM-A speaker terminals. Connect the front speakers to the terminals as shown in Figure 5 and Figure 6.

- 1) Press on the lever and insert the speaker cable.
- 2) Once the cable is inserted, release the lever.

CAUTION:

- Be careful not to cause a short circuit between the speaker terminals.
- This receiver is designed for speakers with an impedance of 8 ohms. If the receiver is connected to speakers with an impedance of less than 8 ohms, the automatic protection circuit may activate and switch the power OFF.

8. Set the POWER buttons on all of the units to OFF.
 9. Connect the power cords from the CD player or CD changer and cassette deck to the SWITCHED AC outlets on the receiver. Refer to Figure 5.
- NOTE:**
The power to these outlets is switched ON and OFF by the POWER/STANDBY button on the receiver.
10. Connect the power cord from the receiver to a 120 VAC wall outlet.

The basic connections for your system are now complete.

CAUTION: If you are not sure whether your speakers can safely handle the maximum audio power output of this receiver, do not set the MASTER VOLUME too high. **FAILURE TO OBSERVE THIS PRECAUTION MAY PERMANENTLY DAMAGE YOUR SPEAKERS.**

RS-727 CONNECTING DIAGRAM

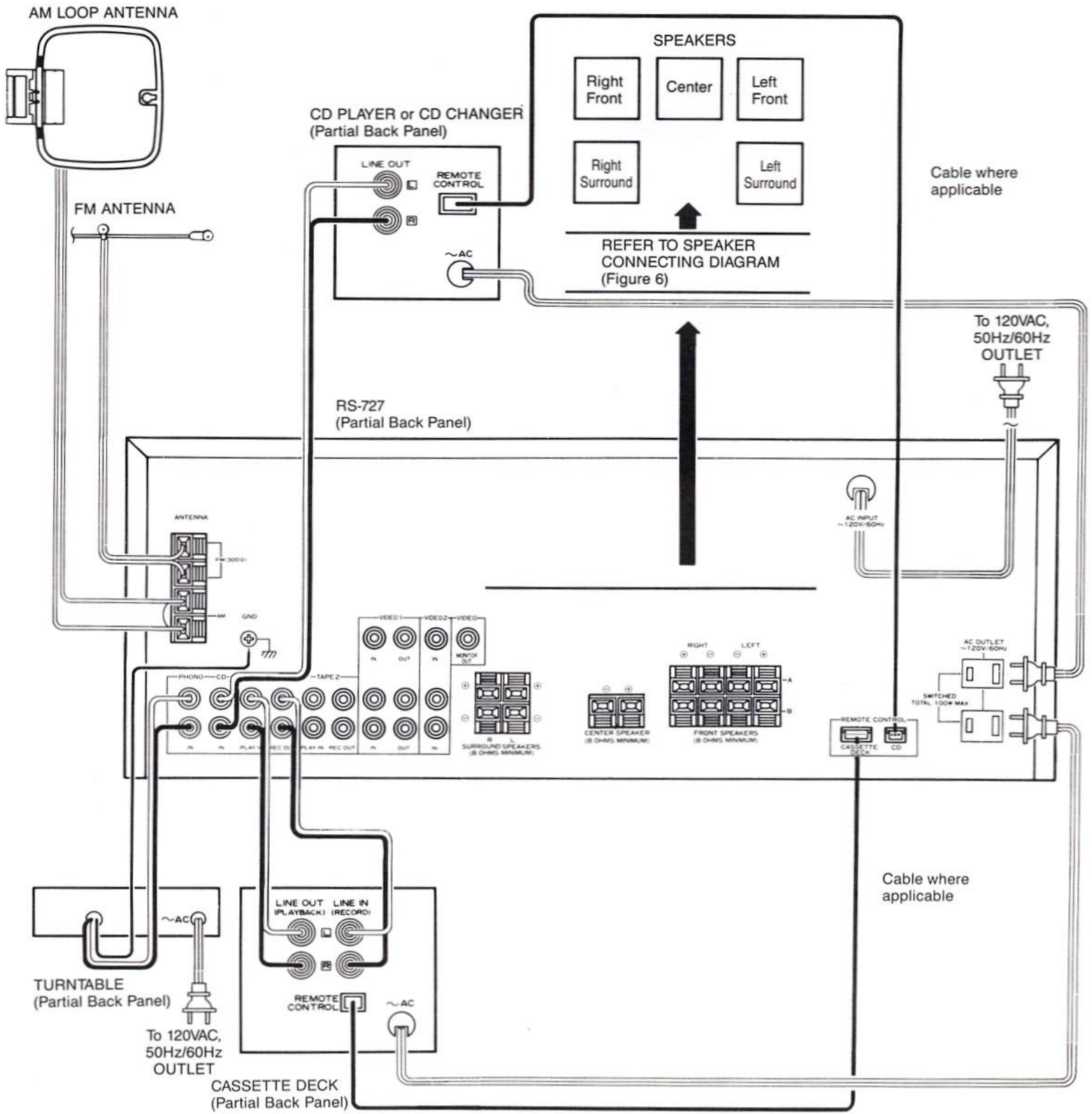


Figure 5

SPEAKER CONNECTIONS

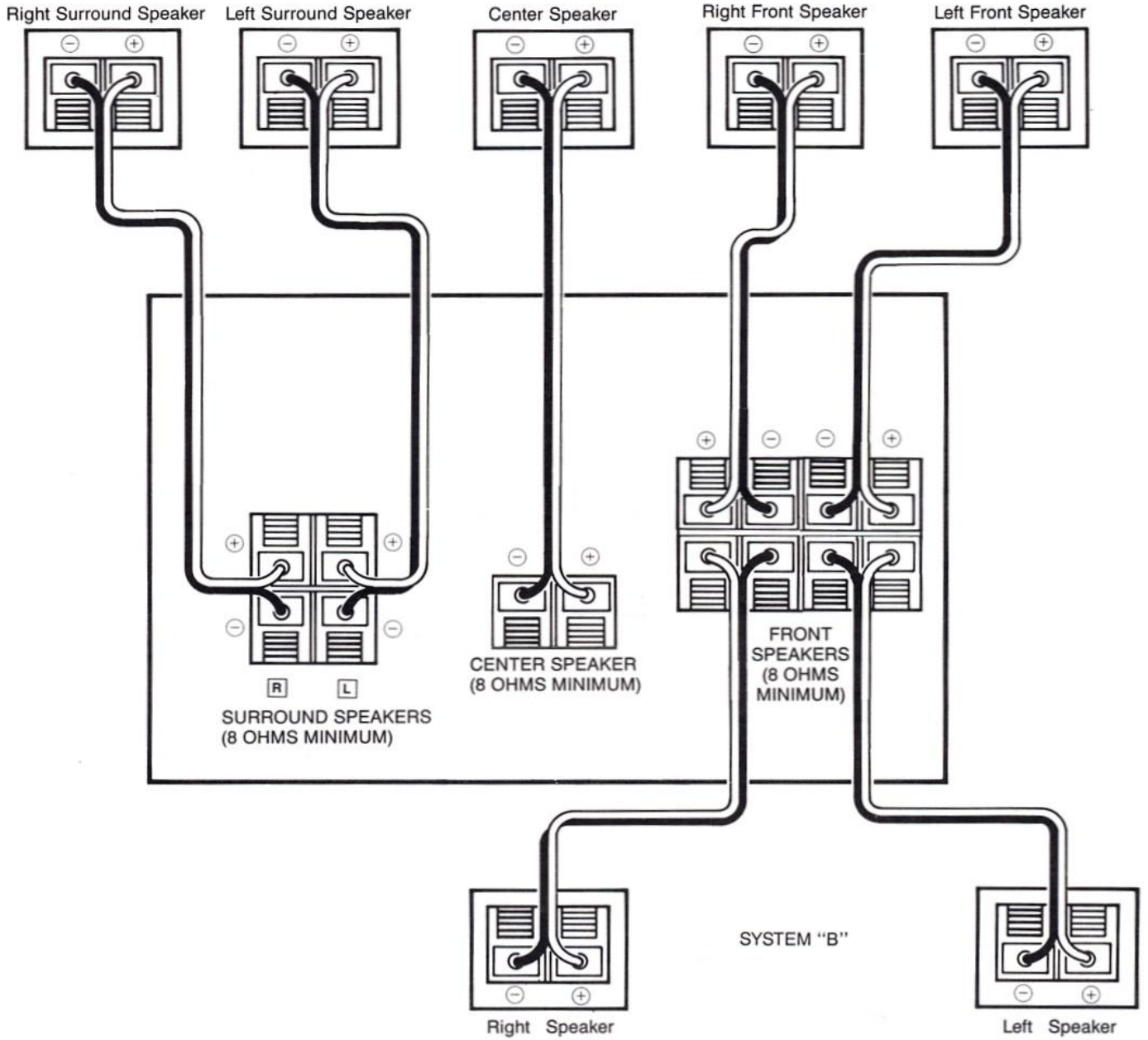


Figure 6

TYPICAL AUDIO/VIDEO SYSTEM CONNECTING DIAGRAM

RS-727 (Partial Back Panel)

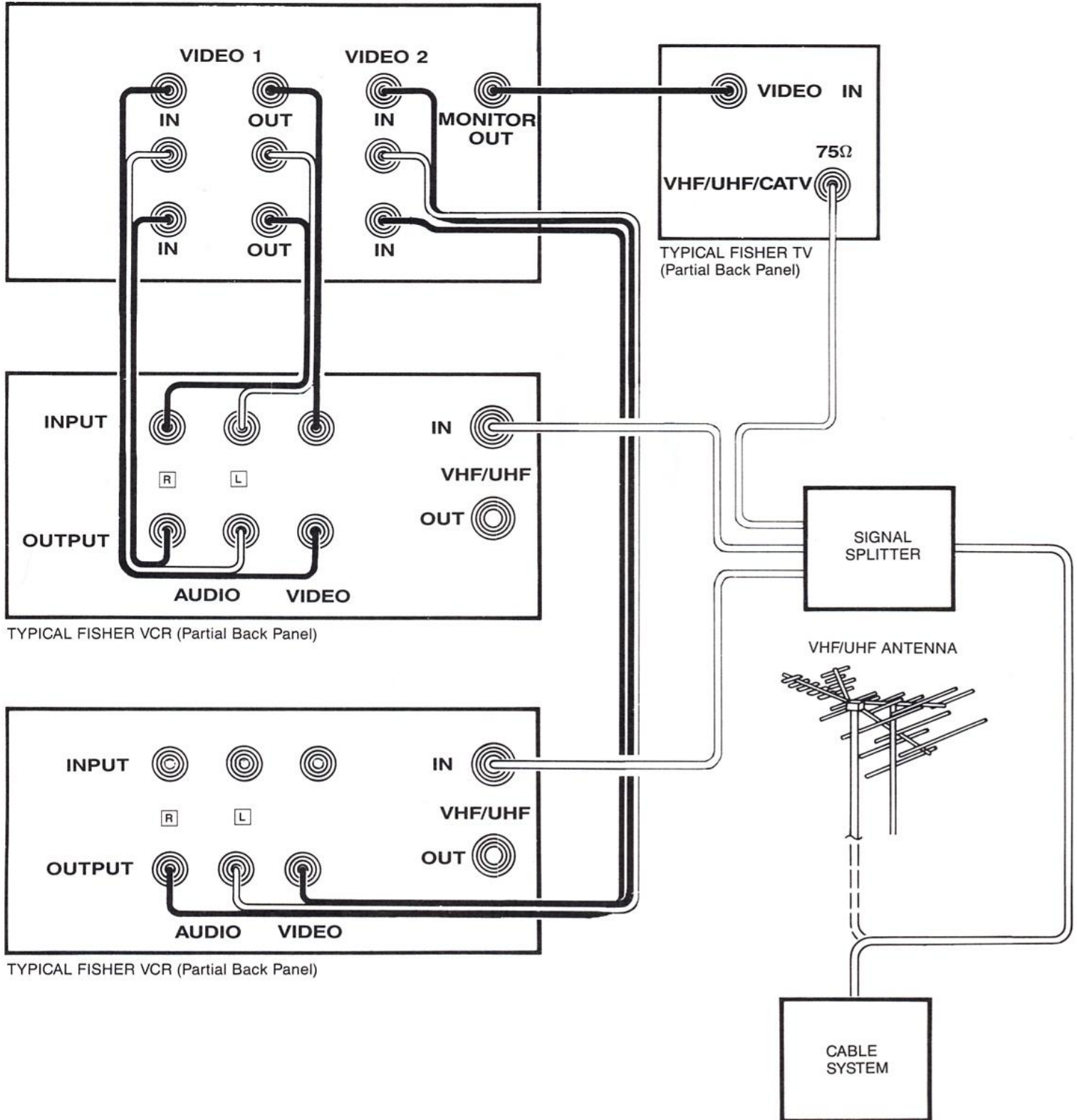


Figure 7

NOTES:

- MONITOR CABLES are not available from Fisher.
- The antenna connection shown is only one of several possible and applicable connections. For more details, refer to the individual TV and VCR manuals.

SPEAKER PLACEMENT

IMPORTANT INFORMATION

1. The magnets in conventional speakers produce magnetic stray fields. If this type of speaker is placed too close to the TV, the stray fields will distort the color of the TV picture. Place conventional speakers at least two feet away from the TV.
2. All Fisher STV, SW and some WS model speakers are stray field compensated, and may be placed near the TV, with one exception. **Do not place any speaker directly on top of the TV.**
Suggestion: Try mounting the center speaker on the wall above and behind the TV.

Example 1: Standard placement

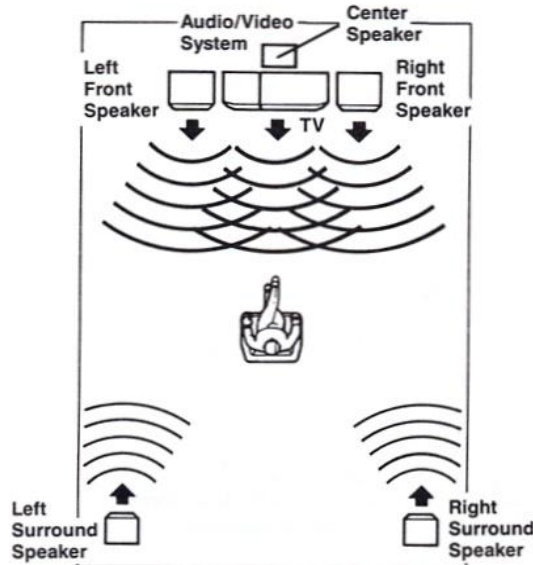


Figure 8

NOTE:

This setting is recommended by Dolby Laboratories Licensing Corporation for the best Dolby Surround results.

Example 2: Diagonal placement

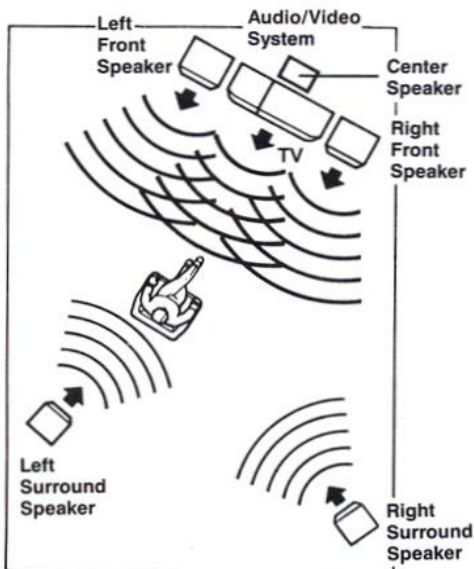


Figure 9

NOTE:

If the surround speakers are placed slightly higher than the listening position and tilted downward, this may improve the sound.

Example 3: Left/Right Surround speakers placed on the sides

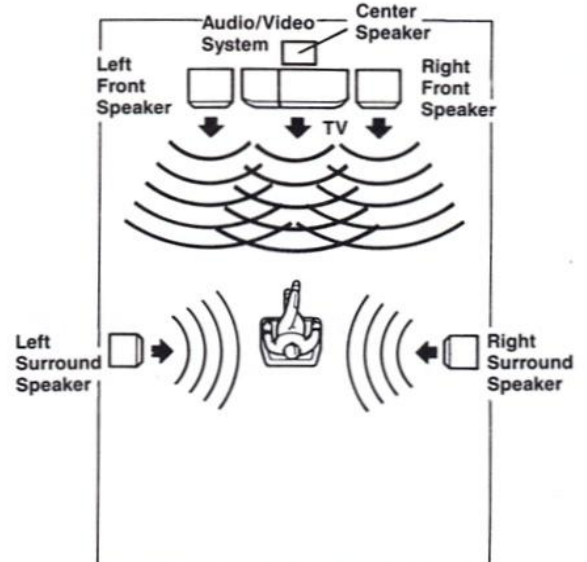


Figure 10

NOTE:

If the surround speakers are placed slightly higher than the listening position and tilted downward, this may improve the sound.

FRONT PANEL LAYOUT

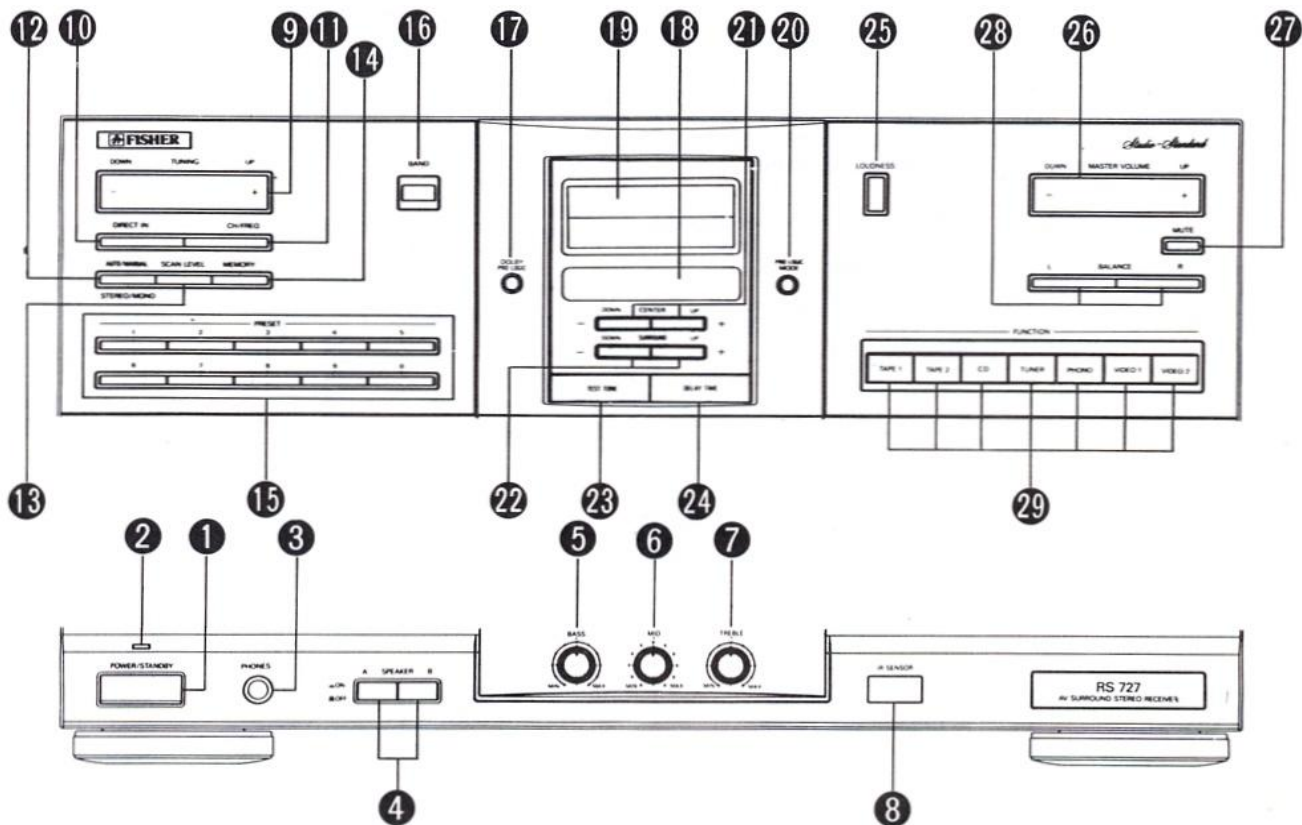
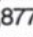
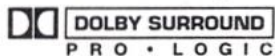


Figure 11

- | | |
|---------------------------------------------|----------------------------------------------------------------------------|
| ① POWER/STANDBY Button | ⑩ AM/FM BAND Select Button |
| ② POWER/STANDBY Indicator | ⑪ DOLBY PRO-LOGIC Button |
| ③ PHONES Jack | ⑫ DOLBY PRO-LOGIC Indicator |
| ④ SPEAKER Buttons | ⑬ Display Panel (Figure 10) |
| ⑤ BASS Control | ⑭ PRO LOGIC MODE Button |
| ⑥ MID (Midrange) Control | ⑮ CENTER Level UP/DOWN Buttons |
| ⑦ TREBLE Control | ⑯ SURROUND Level UP/DOWN Buttons |
| ⑧ Infrared Sensor Window | ⑰ TEST TONE Button |
| ⑨ UP/DOWN TUNING Control Button | ⑱ DELAY TIME Button |
| ⑩ DIRECT IN Button | ⑲ LOUDNESS Button |
| ⑪ CHANNEL/FREQUENCY (CH/FREQ) Button | ⑳ MASTER VOLUME UP/DOWN Button |
| ⑫ AUTO/MANUAL Tuning and STEREO/MONO Button | ㉑ MUTE Button |
| ⑬ SCAN LEVEL Button | ㉒ L/R BALANCE Buttons |
| ⑭ MEMORY Button | ㉓ FUNCTION Selector Buttons (TAPE-1/TAPE-2/CD/TUNER/PHONO/VIDEO-1/VIDEO-2) |
| ⑮ PRESET Button (0-9) | |

* Manufactured under license from Dolby Laboratories Licensing Corporation. Additionally licensed under one or more of the following patents: U.S. numbers 3,632,886, 3,746,792 and 3,959,590; Canadian numbers 1,004,603 and 1,037,877. "DOLBY" and the double-D symbol  are trademarks of Dolby Laboratories Licensing Corporation.



FUNCTION BUTTONS AND INDICATORS

Refer to Figure 11 on page 11.

1. POWER/STANDBY Button

Press this button to switch the power ON and OFF.

2. POWER/STANDBY Indicator

The indicator lights when the unit is connected to an AC outlet and the power is switched OFF.

3. PHONES Jack

For use with headphones that have a 1/4-inch plug.

4. SPEAKERS Buttons

- If only one set of FRONT speakers will be used, connect them to the terminals marked "SYSTEM-A" and press the "SPEAKERS-A" button.
- This receiver is designed for use with speakers with a rated impedance of 8 ohms or higher. If speakers with a lower impedance are connected, the protection circuit may activate, causing the receiver to switch OFF.
- Set both SPEAKERS buttons to the OFF position (button OUT) for private listening when using headphones.

NOTE: If both SPEAKERS buttons are set to the ON position (buttons IN), and only one set of speakers is connected to the receiver, no sound will be heard.

5. BASS Control

Rotate this control to increase or decrease the low-frequency output.

6. MID (Midrange) Control

Rotate this control to increase or decrease the midrange frequency output.

7. TREBLE Control

Rotate this control to increase or decrease the high-frequency output.

8. Infrared Sensor Window

Aim the remote control at this window to assure proper remote control operation.

9. TUNING UP/DOWN Button

Press this button to change the selected frequency or preset station number.

10. DIRECT IN Button

Press this button to enter the station frequency directly using the PRESET buttons.

11. CHANNEL/FREQUENCY (CH/FREQ) Button

FREQUENCY mode: The TUNING UP/DOWN button changes the selected frequency. (FREQ appears in the display.)

CHANNEL mode: The TUNING UP/DOWN button changes the selected PRESET station. (CH and a channel number appear in the display.) FREQ does not appear.

12. AUTO/MANUAL and STEREO/MONO Button

Press this button to switch between automatic and manual tuning, and from stereo to monaural.

13. SCAN LEVEL Button

Press this button repeatedly to select the desired scan level for automatic tuning.

14. MEMORY Button

- Press and hold this button to start the automatic tuner preset function.
- Press and release this button to start the manual tuner preset operation.

15. PRESET Buttons (0-9)

- Press two buttons to select or store a preset station.
- Press these buttons to enter a station frequency directly.

16. AM/FM Band Select Button

Press this button to select the AM or FM band.

17. DOLBY PRO-LOGIC Button

Press this button to activate Dolby Pro-Logic.

18. DOLBY PRO-LOGIC Indicator

Lights when Dolby Pro-Logic is activated.

19. Display Panel

See Figure 12 on page 13 for a description of the display panel indicators.

20. PRO LOGIC MODE Button

Press this button to select the desired Pro-Logic mode (Normal, Wide, Phantom, 3-CH Logic).

21. CENTER Level UP/DOWN Buttons

Press these buttons to adjust the CENTER channel volume level.

22. SURROUND Level UP/DOWN Buttons

Press these buttons to adjust the SURROUND channel volume level.

23. TEST TONE Button

Press this button to switch the Dolby test tone on or off. This tone is used to set the correct channel balance when Dolby Surround program material is used. (See DOLBY TEST TONE, page 18.)

24. DELAY TIME Button

Press this button to select the desired surround channel delay time.

25. LOUDNESS Button

Press this button when listening to music at low volume levels. When the loudness is ON, the low and high-frequency music signal levels are increased to compensate for limitations of the human ear at low listening levels.

26. MASTER VOLUME UP/DOWN Button

Press the UP (+) or DOWN (-) side of this button to increase or decrease the volume level. When Dolby Pro Logic is activated, this control adjusts the volume level in all speakers at the same time.

27. MUTE (Muting) Button

Press this button to reduce the volume level temporarily.

28. L/R BALANCE Buttons

Press the (L) or (R) button to increase or decrease the sound level in the left or right front speaker.

29. FUNCTION Selector Buttons

TAPE-1, TAPE-2, CD, TUNER, PHONO, VIDEO-1, VIDEO-2.

DISPLAY PANEL

19 Display Panel

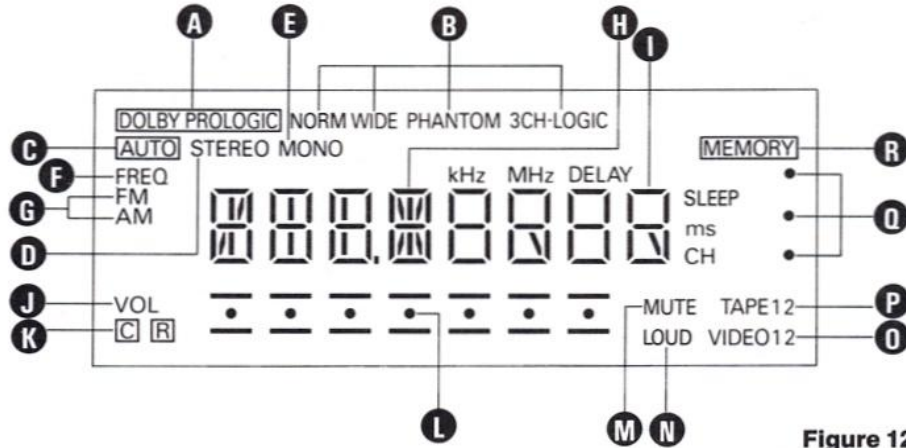


Figure 12

A DOLBY PRO LOGIC Indicator

Lights when Dolby Pro Logic is activated.

B NORM/WIDE/PHANTOM/3CH-LOGIC Indicators

An indicator lights to show the selected Dolby Pro Logic mode.

C AUTO Indicator

When this indicator is lit, automatic tuning, stereo reception and interstation muting are selected.

D STEREO Indicator

This indicator lights when the STEREO/MONO button is pressed to select STEREO operation and an FM stereo broadcast is received.

E MONO Indicator

This indicator lights when the STEREO/MONO button is pressed to select MANUAL tuning and FM MONO operation.

F FREQUENCY (FREQ) Indicator

This indicator lights when the CH/FREQ. button is pressed.
 a) ON: to select a broadcast station with the TUNING UP/DOWN button.
 b) OFF: To select a memorized station with the TUNING UP/DOWN button.

G AM/FM Indicator

Indicates the selected band.

H Frequency, Function, or Test Tone Display

- Indicates the selected station frequency when TUNER is selected.
- Indicates the selected input when PHONO, CD or VIDEO is selected.
- During test tone operation, indicates the active channel.

I Channel Number, Delay Time or Sleep Time Display

- TUNER operation: Shows the selected preset channel number.
- DOLBY PRO LOGIC: Shows the selected delay time when the DELAY TIME button is pressed.
- SLEEP TIMER: Shows the selected sleep time setting when the SLEEP button on the remote control is pressed.

J Master Volume or Balance Level Indicators

The (—) indicators light to show the relative volume or left/right channel balance.

K Center or Surround Volume Level Indicators

- The "C" indicator lights when the CENTER volume is adjusted.
- The "R" indicator lights when the SURROUND volume is adjusted.

L Volume Level Indicators

These indicators light to show the relative volume or balance control position. The red (•) identifies the center position of the balance control.

M MUTE Indicator

This indicator lights when the MUTING button is pressed.
 a) ON: The volume is reduced to a low audible level.
 b) OFF: The volume level is normal.

N Loudness Indicator

Lights when the LOUDNESS function is ON.

O VIDEO 1/VIDEO 2 Indicator

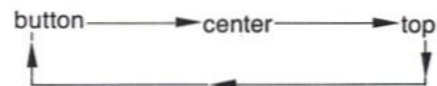
These indicators light when the Video 1 or Video 2 input is selected.

P TAPE 1/TAPE 2 Indicator

These indicators light when the Tape 1 or Tape 2 function is selected.

Q SCAN LEVEL Indicators

A SCAN LEVEL indicator, corresponding to the selected scan sensitivity, lights when the SCAN LEVEL button is pressed.



R MEMORY Indicator

- Lights when the MEMORY button is pressed.
- Flashes when the automatic preset station memory function is selected.

REAR PANEL LAYOUT

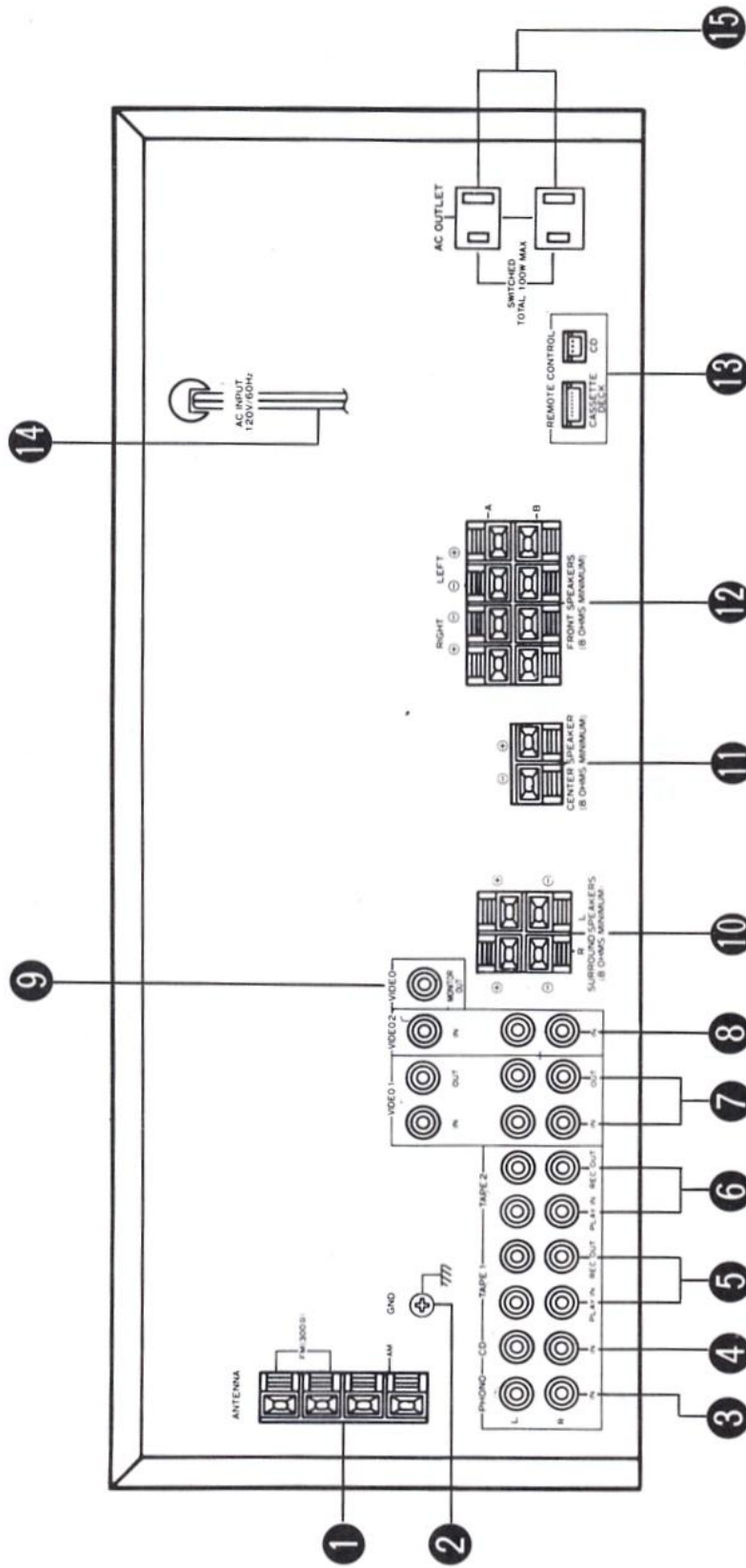
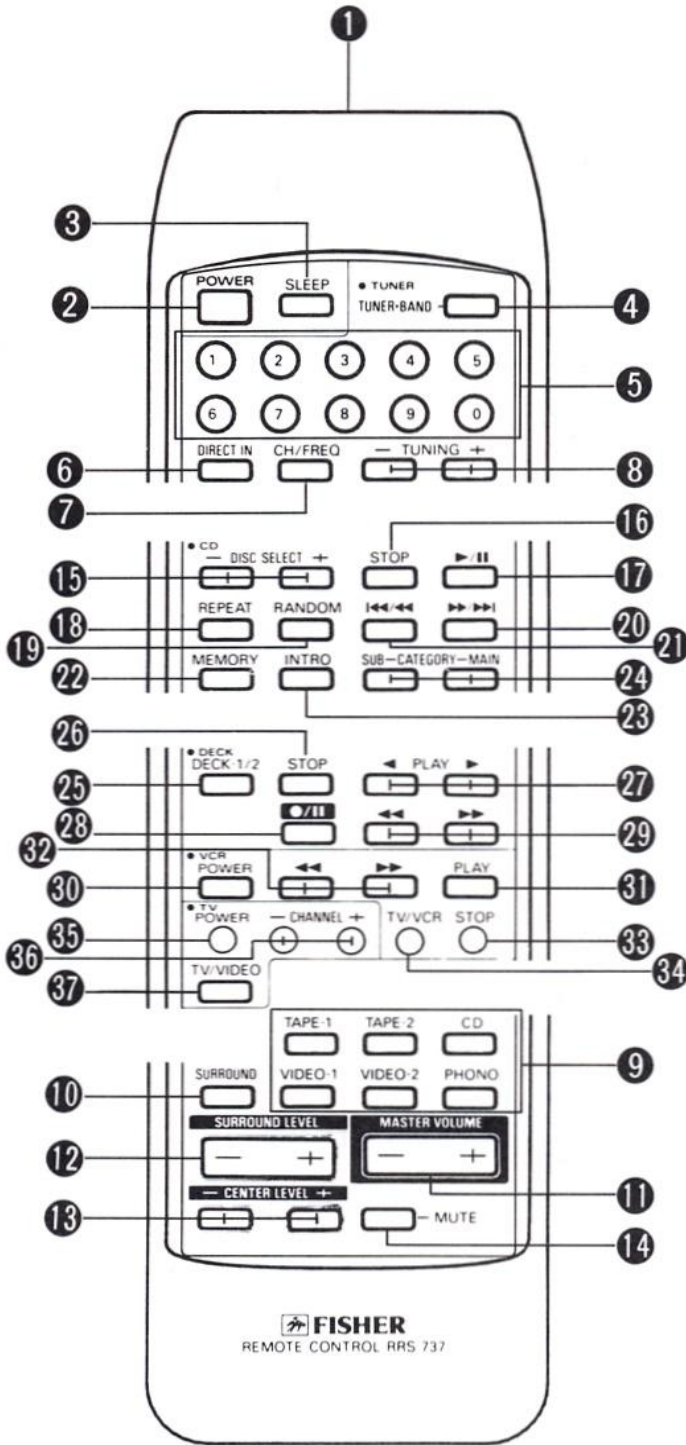


Figure 13

- 1 ANTENNA Terminals
- 2 GROUND (GND) Terminal
- 3 PHONO Jacks
- 4 CD Jacks
- 5 TAPE 1 Jacks
- 6 TAPE 2 Jacks
- 7 VIDEO 1 Jacks (AUDIO and VIDEO)
- 8 VIDEO 2 Jacks (AUDIO and VIDEO)
- 9 MONITOR OUT Jack (VIDEO)
- 10 SURROUND SPEAKER Terminals
- 11 CENTER SPEAKER Terminals
- 12 FRONT SPEAKER Terminals
- 13 REMOTE CONTROL Jacks (CD/DECK)
- 14 AC Power Cord
- 15 SWITCHED AC Outlets

RRS-737 REMOTE CONTROL — 60 BUTTONS



RRS-737 Remote Control

Figure 14

① Infrared Transmitter Window

RECEIVER SECTION

- ② POWER/STANDBY Button
- ③ SLEEP Timer Button
- ④ AM/FM BAND Select Button
- ⑤ PRESET Buttons (0-9)
- ⑥ DIRECT IN Button
- ⑦ CHANNEL/FREQUENCY (CH/FREQ) Button
- ⑧ UP/DOWN TUNING Buttons
- ⑨ FUNCTION Selector Buttons (TAPE-1/TAPE-2/CD/VIDEO-1/VIDEO-2/PHONO)
- ⑩ SURROUND (DOLBY PRO LOGIC) Button
- ⑪ MASTER VOLUME UP/DOWN Button
- ⑫ SURROUND LEVEL UP/DOWN Button
- ⑬ CENTER LEVEL UP/DOWN Buttons
- ⑭ MUTE Button

CD SECTION

- ⑮ DISC SELECT Buttons (for CD changer)
- ⑯ STOP Button
- ⑰ PLAY/PAUSE Button
- ⑱ REPEAT Play Button
- ⑲ RANDOM Play Button
- ⑳ FORWARD SKIP/SEARCH Button
- ㉑ BACKWARD SKIP/SEARCH Button
- ㉒ MEMORY Button
- ㉓ INTRO Scan Button
- ㉔ CATEGORY SUB/MAIN Buttons

DECK SECTION

- ㉕ DECK 1/2 Select Button
- ㉖ STOP Button
- ㉗ FORWARD/REVERSE PLAY Buttons
- ㉘ RECORD/PAUSE Button
- ㉙ FAST FORWARD/REWIND Buttons

VCR SECTION

- ⑳ POWER On/Off Button
- ㉑ PLAY Button
- ㉒ FAST FORWARD/REWIND Buttons
- ㉓ STOP Button
- ㉔ TV/VCR Button

TV SECTION

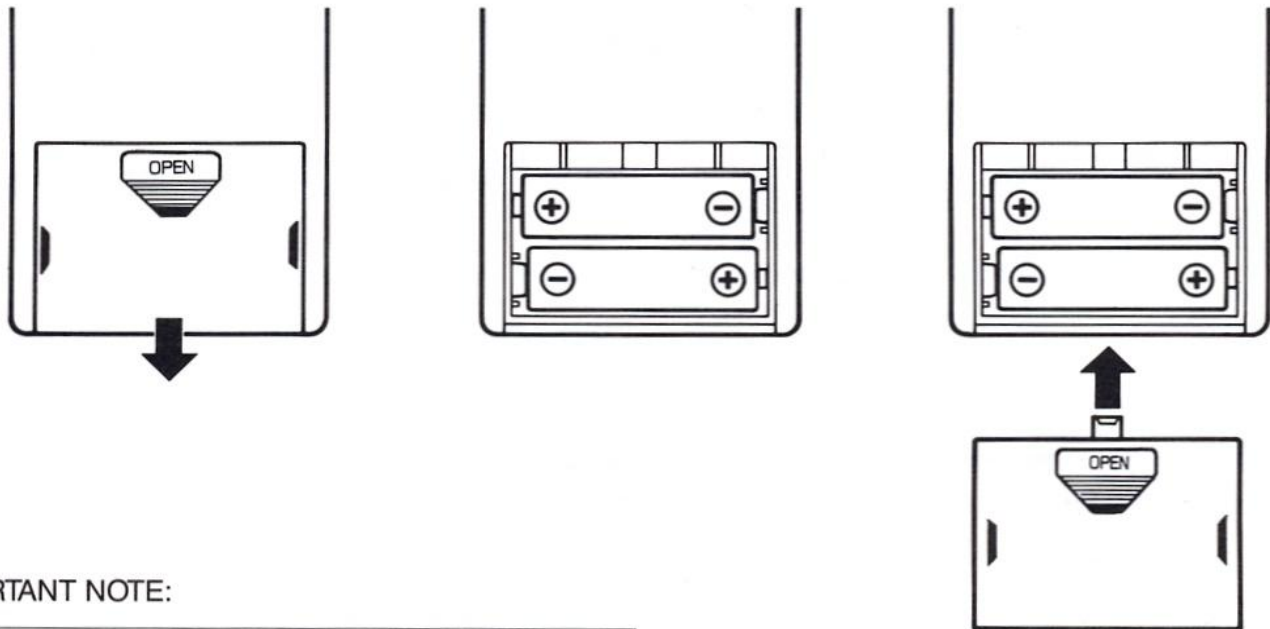
- ㉕ POWER On/Off Button
- ㉖ CHANNEL UP/DOWN Buttons
- ㉗ TV/VIDEO Button

REMOTE CONTROL BATTERY INSTALLATION

Remove the rear cover of the remote control by sliding it in the direction of the arrow. Install two AA size batteries (included). Be sure to match the (+) and (-) signs on the batteries with the (+) and (-) signs inside the remote control. If the batteries are installed incorrectly, the remote control will not work and damage may result. Replace the rear cover.

CAUTION:

Remove the batteries from the remote control if it will not be used for a long time. Discharged batteries may leak and damage the remote control.



IMPORTANT NOTE:

SPENT OR DISCHARGED BATTERIES MUST BE RECYCLED OR DISPOSED OF PROPERLY IN COMPLIANCE WITH ALL APPLICABLE LAWS.

FOR DETAILED INFORMATION, CONTACT YOUR LOCAL COUNTY SOLID WASTE AUTHORITY.

Figure 15

REMOTE CONTROL AND COMPATIBILITY

The remote control emits an invisible infrared beam, which carries the control signals to the sensor window on the front panel of the receiver. Because the infrared beam travels in a straight line, the transmitter window on the remote control must be pointed toward the infrared sensor window on the receiver. Make sure that there are no objects between the remote control and the receiver that might block the beam.

The infrared wireless remote control supplied with this receiver can operate the receiver functions listed below. When used with Fisher wireless remote control compatible components, the remote control can operate the additional system functions listed below, provided that the system components are equipped with these functions. The maximum operating range of the remote control is approximately 30 feet.

- RECEIVER:** POWER ON/OFF, SLEEP Timer, AM/FM Band Select, PRESET Select (0-9), DIRECT IN, MODE (CH/FREQ), TUNING UP/DOWN, MASTER VOLUME UP/DOWN, CENTER LEVEL UP/DOWN, SURROUND LEVEL UP/DOWN, SURROUND ON/OFF, MUTE, TAPE-1, TAPE-2, CD, PHONO, VIDEO-1, VIDEO-2
- CD Player:** PLAY/PAUSE, FFWD, FBACK, STOP, FORWARD SEARCH, BACKWARD SEARCH, MEMORY, RANDOM PLAY, REPEAT, INTRO.
- CD Changer:** PLAY/PAUSE, FFWD, FBACK, STOP, FORWARD SEARCH, BACKWARD SEARCH, MEMORY, RANDOM PLAY, REPEAT, INTRO, DISC SELECT, CATEGORY Select.
- Cassette Deck:** DECK 1/2, PLAY (< >), RECORD/PAUSE, FFWD, REW.
- VCR:** POWER ON/OFF, PLAY FAST FORWARD/REWIND, TV/VCR
- TV:** POWER ON/OFF, CHANNEL UP/DOWN, TV/VIDEO

Each button performs the same function as the corresponding button on the appropriate system unit. However, the DECK-1/DECK-2 select button is on the remote control only.

Fisher remote control compatible components			
CD Changers	Cassette Deck	VCRs	Televisions
DAC-503	CR-W983	FVH-2500 series	PC-1000 series
DAC-2403		FVH-4500 series	PC-2000 series
		FVH-8900 series	PC-3000 series

USING THE REMOTE CONTROL

- Press the POWER buttons of all of the units connected to the SWITCHED AC outlets on rear panel of the receiver.
Note: Fisher CD changer models DAC-503 and DAC-2403 turn on automatically when AC power is applied. It is not necessary to press the POWER button on these components if they are connected to the switched AC outlets on the back of the receiver.
- Press the POWER ON/OFF button on the remote control.
— The power to the receiver, cassette deck and CD player or CD changer is switched ON.
- Operate the receiver and other system components by pressing the corresponding buttons on the remote control.

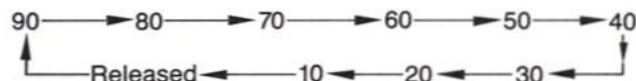
DECK-1/DECK-2 SELECT BUTTON

Press this button to select DECK-1 or DECK-2 on the cassette deck.

SLEEP TIMER

The receiver can be set to switch off automatically after a period of up to 90 minutes.

- Press the SLEEP button on the remote control once to activate the sleep timer.
— The display panel dims and the power to the receiver will be switched off after a 90-minute delay.
— The SLEEP indicator lights.
— The OFF Time display remains for approximately 5 seconds.
- Press the SLEEP button repeatedly to select a different delay time.
— Each time the SLEEP button is pressed, the Off Time display on the receiver changes as shown below. Press the SLEEP button ten times to cancel the timer OFF mode (SLEEP indicator OFF).



DOLBY PRO LOGIC

Dolby Surround Sound is a multichannel sound processing system originally developed to enhance the soundtracks of theatrical motion pictures. The multichannel capability enables filmmakers to present dialogue and sound effects in a more dimensional manner that complements the action occurring on the screen. For example, a car racing from screen right to screen left is accompanied by the sound of the engine, screeching tires, etc., moving in the same direction throughout the theater.

Designed by the highly renowned Dolby Laboratories, the home version of this system utilizes a matrix encoding scheme that combines three separate signals (left, right, surround) into two channels, for distribution on stereo video tapes and laserdiscs. The built-in Pro Logic surround decoder in the RS-727 restores the original left, right and surround channels, while adding a center channel, which stabilizes the action occurring at the center of the screen. The Pro Logic surround system recaptures the full richness and depth of a Dolby-encoded film, for enjoyment in the comfort of your own home.

PRO LOGIC MODES

Press the PRO LOGIC MODE button to select the appropriate operating mode according to your speaker placement.

NORMAL:

Choose this mode when using a center channel speaker having limited low-frequency response.

- The low-frequency sounds occurring at the center of the screen are routed equally to the front left and right speakers. This creates the illusion that the sound is coming from the center.

WIDE:

Choose this mode when using a full-range center channel speaker similar in size and sound quality to the front speakers.

- The low-frequency sounds occurring at the center of the screen are routed to the center channel speaker.

PHANTOM: Choose this mode when a center channel speaker is not used.

- The sound occurring at the center of the screen is routed equally to the front left and right channel speakers. This creates the illusion that the sound is coming from the center.

3CH LOGIC:

Choose this mode when using only the front left, center and right channel speakers (no surround speakers).

- The sound that would normally be routed to the surround speakers is combined with the front channel sound and routed to the front left and right channel speakers.

DOLBY TEST TONE

For optimum surround sound performance, adjust the center and surround volume as explained in the following example. The adjustments can be made at the listening point using the remote control.

- First select the desired surround mode as described above.

Example: NORMAL or WIDE mode

- 1) Press the PRO LOGIC MODE button to select "NORMAL" or "WIDE".
- 2) Press the TEST TONE button.
- 3) Press the "+" or "-" MASTER VOLUME button until the test tone is at a comfortable level.
 - The test tone will be heard from each speaker for approximately 2 seconds. (Both surround speakers will be heard at the same time.)
- 4) Press the "+" or "-" CENTER button or the "+" or "-" SURROUND button on the remote control until the volume level at each speaker is the same.
- 5) When finished, press the TEST TONE button to turn the test tone off.
 - The test tone will continue unless the TEST TONE button is pressed to turn it off.

Notes:

- When the PHANTOM mode is selected, there is no sound from the CENTER channel speaker.
- When the 3CH LOGIC mode is selected, there is no sound from the SURROUND speakers.

DELAY TIME ADJUSTMENT

Set the DELAY TIME to obtain the optimum Dolby Surround effect depending on the size of the room and the placement of the speakers.

- 1) Play a program source encoded with Dolby Surround Sound (video tape or laserdisc, etc.), then locate a portion of the program with surround information (during an "action" sequence, for example).
- 2) Press the DELAY TIME button to select 15ms, 20ms, 25ms or 30ms.
 - The sound from the surround speakers is delayed to ensure that the front speakers are heard first. By doing so, sounds that occur simultaneously in the front and surround speakers seem to come from the front, imparting a greater sense of separation that holds the viewer's attention on the action.

NOTE: The DELAY TIME function only operates during DOLBY SURROUND operation.

TUNER OPERATION

TUNER OPERATION

Automatic Tuner Function System

The receiver switches to the TUNER mode automatically when the BAND, TUNING UP/DOWN or TUNER function button is pressed.

Stations can be selected using any of the four tuning methods described below.

AUTOMATIC: The tuner will locate and stop at the next receivable station automatically.

MANUAL: Use this mode to receive weak or noisy stations. The noise will be reduced, but the reception will be monaural.

DIRECT: Use this mode to select a station by entering the station frequency.

PRESET: Use this mode to select stations that have been entered into the preset memory.

SCAN LEVEL

Press the SCAN LEVEL button to select the desired scan sensitivity.

- Bottom indicator lights: Highest sensitivity (To receive the most stations).
- Middle indicator lights: Medium sensitivity (To receive stations with moderate-to-high signal strength).
- Top indicator lights: Lowest sensitivity (To receive stations with the strongest signals).

AUTOMATIC TUNING

1. Press the CH/FREQ button to select the frequency mode.
 - The FREQ (FREQUENCY) indicator lights.
2. Press the BAND button to select AM or FM.
3. Press the TUNING UP/DOWN button.
 - The receiver will locate and stop on the next receivable station.

MANUAL TUNING

1. Press the AUTO/MANUAL button to select the manual tuning mode.
 - MONO appears in the display.
2. Press the CH/FREQ button to select the frequency mode.
3. Press the TUNING UP/DOWN button to select the desired station frequency.

DIRECT TUNING

1. Press the DIRECT IN button.
 - "--.--" flashes in the frequency display.
2. Press the PRESET buttons to enter the frequency of the desired broadcast station.
 - Example: Press 9, 4, 7 to enter 94.7 MHz for an FM station or 1, 2, 4 to enter 1240 kHz for an AM station.

MEMORY TUNING

Up to 40 stations (CH01–CH40) can be memorized for instant recall. Each tuner preset can be programmed for one AM or FM station.

Automatic Station Memory

The receiver can be set to memorize the first 20 receivable stations on the selected band.

1. Press the BAND button to select AM or FM.
2. Press and hold the MEMORY button for approximately 5 seconds, until the Autoscan function begins.
 - The FREQ (FREQUENCY) indicator lights.
 - The AUTO and MEMORY indicators flash as the receiver locates and memorizes each station.
3. The receiver will begin scanning at the low end of the band and memorize stations in the order they are received.
 - When FM is selected, the stations are memorized from CH01 to CH20.
 - When AM is selected, the stations are memorized from CH21 to CH40.
4. To stop automatic station memory, press the MEMORY, TUNING UP/DOWN button, or the BAND button.

Manual Station Memory

1. Tune in the station to be memorized.
2. Press the MEMORY button.
 - The MEMORY indicator lights for approximately 5 seconds.
3. Press two PRESET buttons while the MEMORY indicator is lit.
 - Example: 0, 1 for CH01 or 2, 1 for CH21.
 - The selected channel number (CH) display lights.

NOTES:

- If the end of the band is reached during automatic or manual tuning, scanning will continue from the opposite end of the band.
 - Example:
 - 107.9 MHz → 87.9 MHz → 107.9 MHz
 - 1710 kHz → 520 kHz → 1710 kHz
- Both AM and FM stations can be memorized in any order.
- When memorizing a new station, the previously memorized station on the same channel number (CH) is erased.
- If the AC power to the unit is interrupted, memorized stations will be retained in the memory for approximately one week.

Changing the reception frequencies

It is not necessary to perform this procedure in the United States and Canada.

1. Select the band to be changed.
2. Switch the power off.
3. While pressing the BAND button, press the POWER button.
 - AM: 520-1710 kHz (10 kHz steps) ↔ 522-1710 kHz (9 kHz steps)
 - FM: 87.9-107.9 MHz (200 kHz steps) ↔ 87.5-108.0 MHz (50 kHz steps)

LISTENING TO OTHER SOURCES

LISTENING TO RECORDS

1. Press the PHONO button.
2. Follow the instructions supplied with the turntable.
3. Adjust the VOLUME, BALANCE, BASS and TREBLE controls on the receiver as desired.

LISTENING TO COMPACT DISCS

1. Press the CD button.
2. Follow the instructions supplied with the CD player or changer.
3. Adjust the VOLUME, BALANCE, BASS and TREBLE controls on the receiver as desired.

LISTENING TO TAPES

1. Press the TAPE-1 or TAPE-2 button to select the cassette deck to be used.
2. Follow the instructions supplied with the cassette deck.
3. Adjust the VOLUME, BALANCE, BASS and TREBLE controls on the receiver as desired.

VIEWING AND LISTENING TO VIDEO SOURCES

1. Press the VIDEO-1 or VIDEO-2 button.
2. Select the external video mode on the television.
 - The selected video source appears on the television and the audio can be heard from the speakers.

LISTENING WITH HEADPHONES (not available from Fisher)

1. Reduce the VOLUME control setting to a low level.
2. Insert a 1/4-inch plug from the headphones into the PHONES jack.
3. For private listening, set both SPEAKERS buttons to the OFF (OUT) position.

NOTES:

- To protect your ears and the headphones from damage, be sure that the VOLUME control is set to a low listening level BEFORE plugging in or unplugging the headphones.
- Do not use the headphones at a high volume level. Hearing experts advise against continuous extended play.
- If you experience a ringing in your ears, reduce the volume or discontinue use.

Problem	NOTE
Sound is faintly distorted between the FM antenna and the receiver.	Check the antenna cable for loose connections.
The antenna is not positioned for the best reception.	Check the antenna position and the antenna cable.
Continuous humming noise during FM reception, especially when a stereo broadcast is received.	Check the antenna cable for loose connections.
FM stereo indicator flashes.	Check the antenna cable for loose connections.
Distortion or intermittent fading during AM reception, especially at night.	Check the antenna cable for loose connections.
A horn can be heard during AM broadcast reception.	The horn can be heard only when the AM broadcast is received.

NOTE:
The strong type of antenna, or an improper antenna installation, are frequent causes of poor FM reception. Read the instructions to the "ANTENNA" section carefully.

SERVICING:

Should the receiver and remote control require service, refer to the Fisher audio limited warranty.

If you do not have a convenient Fisher service station nearby, contact the Fisher dealer where you purchased the unit. Be sure to give the model number and explain the problem. The dealer will advise you how to obtain service.

RECORDING

RECORDING WITH A CASSETTE DECK (Tape-1 or Tape-2)

1. Select the source to be used with the FUNCTION selector buttons.
 - Make sure that the TAPE-1 and TAPE-2 indicators are OFF. If either indicator is ON, press the TAPE-1 or TAPE-2 button to switch it OFF.
2. Prepare the cassette deck for recording following the instructions supplied with the cassette deck.
3. Adjust the VOLUME, BALANCE and BASS and TREBLE controls on the receiver as desired. These controls have no effect on the recording.

NOTE:

If you have a 3-head cassette deck and wish to monitor the recording, press the TAPE-1 or TAPE-2 button while recording. You can then monitor the source or tape output using the controls on the cassette deck.

- Do not press the TAPE-1 button while recording with the tape deck connected to the TAPE-2 jacks. This will interrupt the recording. (See the DUBBING section.)

Dubbing from Tape-1 to Tape-2

1. Load the cassette to be used as the source into the cassette deck connected to the TAPE-1 jacks.
2. Load a blank cassette into the cassette deck connected to the TAPE-2 jacks.
3. Press the TAPE-1 button.
 - The signal from TAPE-1 is transferred to the input jacks of TAPE-2.
4. Follow the instructions supplied with the cassette decks for recording and playback.
5. Adjust the VOLUME, BALANCE, BASS and TREBLE controls on the receiver as desired. These controls have no effect on the recording.

NOTE:

Dubbing can only be performed from TAPE-1 to TAPE-2. It is not possible to dub from TAPE-2 to TAPE-1.

RECORDING WITH A VCR (Video-1 or Video-2)

1. Select the source to be used with the FUNCTION selector buttons.
 - Make sure that the TAPE-1 and TAPE-2 indicators are OFF. If either indicator is ON, press the TAPE-1 or TAPE-2 button to switch it OFF.
2. Prepare the VCR for recording following the instructions supplied with the VCR.
3. Adjust the VOLUME, BALANCE and BASS and TREBLE controls on the receiver as desired. These controls have no effect on the recording.

Dubbing from Video-2 to Video-1

1. Prepare the component connected to the VIDEO-2 terminals for use as a recording source. (Load a prerecorded video cassette)
2. Prepare the component connected to the VIDEO-1 terminals for recording. (Load a blank video cassette, select externals input, etc.)
3. Press the VIDEO-2 button.
 - The video and audio signals from the VIDEO-2 component are sent to the VIDEO-1 component.
4. Begin recording with the component connected to the VIDEO-1 terminals.
 - Do not press the FUNCTION or VIDEO FUNCTION buttons while dubbing, or the recording will be interrupted.

Recording with separate video and audio sources

1. Prepare the component connected to the VIDEO-2 terminals for use as a recording source. (Load a prerecorded video cassette).
2. Prepare the component connected to the VIDEO-1 terminals for recording (Load a blank video cassette).
3. Press the VIDEO-2 button.
 - The video and audio signals from the VIDEO-2 component are sent to the VIDEO-1 component.
4. Press the FUNCTION button for the desired audio source (PHONO, TUNER or CD).
 - The audio signal from the selected source is sent to the component connected to VIDEO-1.
 - The VIDEO source does not change.
 - Do not press the FUNCTION or VIDEO FUNCTION buttons while dubbing, or the recording will be interrupted.

NOTE:

The video signal from VIDEO-2 appears at the VIDEO-1 output terminals unless the VIDEO-2 FUNCTION button has been pressed.

TROUBLESHOOTING GUIDE

If you have followed the instructions, and are having difficulty operating your receiver and remote control, use the troubleshooting chart below.

SYMPTOM	POSSIBLE CAUSE	CORRECTIVE ACTION
No sound. The display and indicators do not light when the POWER button on the receiver is pressed.	Faulty AC power plug connection to the AC wall outlet.	Examine the plug. Old wall outlets sometimes cause a loss of power. The plug must fit snugly in the outlet.
The display lights but no sound (or very weak sound) is heard.	Faulty speaker cable connections.	Connect the cables securely to the speaker terminals.
	The VOLUME control is set to the MINIMUM position.	Press VOLUME UP to raise the volume.
	The TAPE-1 or TAPE-2 Monitor indicator is ON.	Press the TAPE-1 and TAPE-2 Monitor buttons to turn the tape monitor function OFF, except when playing a tape.
	The MUTE indicator is ON.	Press the MUTE button to turn the muting OFF.
	Both SPEAKERS buttons are set to the OFF position (buttons OUT).	Set the SPEAKERS buttons (A, B) properly. If only one pair of speakers is connected, use the SPEAKER A terminals and press the button marked "A."
Sound is heard from only one speaker.	Faulty connection to one speaker.	Connect the speaker cable securely to the speaker terminal.
Other components cannot be switched ON and OFF with the remote control.	The POWER buttons on the units connected to the SWITCHED AC outlets on the receiver are set to OFF.	Set the POWER button on all other components to the ON position.
The receiver does not respond to the remote control.	The batteries in the remote control are weak, or are not installed correctly.	Check the battery polarity (+) and (-). Replace the batteries.
	The remote control is not aimed at the infrared sensor window.	Aim the remote control at the infrared sensor window.
No reception even when two PRESET buttons are pressed.	An incorrect station frequency has been memorized.	Memorize the correct station frequency.
	Weak signal.	Press the AUTO/MANUAL button to select MANUAL (AUTO indicator OFF).
Poor FM reception.	No antenna is connected.	Connect the supplied FM dipole antenna to the FM ANTENNA terminals on the rear panel of the receiver. Refer to "CONNECTIONS" on page 6.
	Shorted or faulty connection(s) between the FM antenna and the receiver.	Check the connections to the FM ANTENNA terminals on the rear panel of the receiver.
	The antenna is not positioned for the best reception.	Change the position of the antenna. Refer to "ANTENNAS" on pages 4 and 5.
Continuous hissing noise during FM reception, especially when a stereo broadcast is received.	Weak signal.	Change the position of the antenna.
		Install an outdoor antenna. Use an antenna with 3, 4, or 5 elements if the broadcast station is far away.
STEREO indicator flickers.	Weak signal.	Change the position of the antenna.
		Install an outdoor FM antenna.
Continuous or intermittent hissing noise during AM reception, especially at night.	Noise is caused by motors, fluorescent lamps, lightning, etc.	Keep the unit away from noise sources. Install an outdoor AM antenna. (Noise may be reduced, but not completely eliminated.)
A hum can be heard during AM broadcast reception.	The power cord may be too close to the AM loop antenna or the antenna wire.	Position the power cord away from the antenna wire and the AM loop antenna.
		Adjust the position of the AM loop antenna.
<p>NOTE: The wrong type of antenna, or an improper antenna installation, are frequent causes of poor FM reception. Read the instructions in the "ANTENNAS" section carefully.</p>		

SERVICING:

Should this receiver and remote control require service, refer to the Fisher audio limited warranty.

If you do not have a convenient Fisher service station nearby, contact the Fisher dealer where you purchased the unit. Be sure to give the model number and explain the problem. The dealer will advise you how to obtain service.

SPECIFICATIONS RS-727

RRS-737 Wireless Remote Control	60 Buttons
POWER AMPLIFIER SECTION Minimum RMS sine wave power per channel within stated bandwidth at no more than stated distortion	100 W Main 20 W Center 10 W Surroundx2
Load	8 Ohm
Power Bandwidth Stereo Mode Surround Mode	20 Hz-20 kHz 1 kHz-Main 1 kHz Center 1 kHz Surround
Total Harmonic Distortion Stereo Mode Dolby Pro Logic Mode	0.08% 0.15% Main 0.9% Center 0.9% Surround
I.M. Distortion	0.08%
Speaker Damping	30
PREAMPLIFIER SECTION Frequency Response CD, Tape Monitor 1, 2/Video 1, 2 PHONO (RIAA) Input Sensitivity and Impedance PHONO CD, Tape Monitor 1, 2/Video 1, 2 PHONO: Maximum Input Capability Loudness Contour (100 Hz/10 kHz) Hum and Noise (IHF Short Circuit, A Network) PHONO CD, Tape Monitor 1, 2/Video 1, 2	+1 dB +1 dB 2.5 mV/47 k Ω 150 mV/47 k Ω 150 mV +8 dB/+4 dB 75 dB 90 dB
VIDEO SIGNAL SECTION Video Input/Output Level and Impedance	1 Vp-p/75 Ω
FM SECTION Usable Sensitivity Monaural Stereo 50 dB Quieting Sensitivity Monaural Stereo Signal-To-Noise Ratio Monaural Stereo Capture Ratio Alternate Channel Selectivity (± 400 kHz) Image Response Ratio Spurious Response Ratio IF Response Ratio AM Suppression Ratio Total Harmonic Distortion at 50 dB Quieting Monaural Stereo Total Harmonic Distortion at 65 dB Monaural (100 Hz/1 kHz/6 kHz) Stereo (100 Hz/1 kHz/6 kHz) Stereo Separation (100 Hz/1 kHz/10 kHz) Sub-Carrier Rejection (19 kHz/38 kHz) (Ext. Filter) Audio Frequency Response (20 Hz-15 kHz)	3.0 μ V/14.73 dBf 8.0 μ V/23.26 dBf 5.0 μ V/19.19 dBf 7.0 μ V/42.10 dBf 73 dB 70 dB 1.5 dB 50 dB 38 dB 70 dB 80 dB 55 dB 0.4% 0.5% 0.3/0.3/0.4% 0.4/0.4/0.6% 40/40/35 dB 60/66 dB +2.0 dB
AM SECTION Usable Sensitivity Selectivity Signal-To-Noise Ratio Image Response Ratio IF Response Ratio	800 μ V/m 35 dB 45 dB 36 dB 60 dB
GENERAL SLEEP Timer Power Shutoff Delay Power Requirements (50 Hz/60 Hz) AC Outlets Dimensions (WxHxD) Weight (Approximate)	≤ 90 minutes selectable in 10-minute increments 120 VAC +10% 200 Watts (2.4 A) 2 16.54" x 5.91" x 14.57" 25.7 lbs.

- Because its products are subject to continuous improvement, FISHER reserves the right to modify product designs and specifications without notice and without incurring any obligation.

**FISHER AUDIO
MODEL RS-727 LIMITED WARRANTY**

OBLIGATIONS

In order to obtain warranty service, the product must be delivered to and picked up from an Authorized Fisher Service Center at the user's expense, unless specifically stated otherwise in this warranty. The names and addresses of Authorized Fisher Service Centers may be obtained by writing to SFS Corporation, SFC's warranty administrator, at any of the addresses listed below, or by calling the toll-free number.

New Jersey Office
210 Riser Road
Little Ferry, NJ 07643
210-641-3000

California Office
1200 W. Artesia Blvd.
Compton, CA 90220
310-537-5830

Illinois Office
600 Supreme Drive
Bensenville, IL 60106
708-350-1505

Georgia Office
1790 Corporate Drive, Suite 340
Norcross, GA 30093
404-925-8900

CUSTOMER INFORMATION CENTER 1-800-421-5013
Weekdays 8:00 AM - 5:00 PM Pacific Time

THIS WARRANTY IS VALID ONLY ON FISHER PRODUCTS PURCHASED OR RENTED AND USED IN THE UNITED STATES OF AMERICA. THIS WARRANTY APPLIES ONLY TO THE ORIGINAL RETAIL USER, AND DOES NOT APPLY TO PRODUCTS USED FOR ANY INDUSTRIAL, PROFESSIONAL OR COMMERCIAL PURPOSE. THE ORIGINAL DATED BILL OF SALE, SALES SLIP OR RENTAL AGREEMENT MUST BE SUBMITTED TO THE AUTHORIZED FISHER SERVICE CENTER AT THE TIME WARRANTY SERVICE IS REQUESTED.

Subject to the OBLIGATIONS above and EXCLUSIONS below, SANYO FISHER (USA) CORPORATION (SFC) warrants this FISHER product against defects in materials and workmanship for the periods of LABOR and PARTS specified below. SFC will repair or replace (at its option) the product and any of its parts which fail to conform to this warranty. The warranty period commences on the date the product was first purchased or rented at retail.

LABOR	PARTS
2 YEARS	2 YEARS

EXCLUSIONS

This warranty does not cover (A) the adjustment of customer-operated controls as explained in the appropriate model's instruction manual, or (B) the repair of any product whose serial number has been altered, defaced or removed.

This warranty shall not apply to the cabinet or cosmetic parts, antenna, knobs, batteries or routine maintenance.

This warranty does not apply to uncrating, setup, installation, removal of the product for repair, or reinstallation of the product after repair.

This warranty does not apply to repairs or replacements necessitated by any cause beyond the control of SFC including, but not limited to, any malfunction, defect or failure caused by or resulting from unauthorized service or parts, improper maintenance, operation contrary to furnished instructions, shipping or transit accidents, modification or repair by the user, abuse, misuse, neglect, accident, incorrect line voltage, fire, flood or other Acts of God, or normal wear and tear.

The foregoing is in lieu of all other expressed warranties and SFC does not assume or authorize any party to assume for it any other obligation or liability.

THE DURATION OF ANY WARRANTIES WHICH MAY BE IMPLIED BY LAW (INCLUDING THE WARRANTIES OF MERCHANTABILITY AND FITNESS) IS LIMITED TO THE TERM OF THIS WARRANTY. IN NO EVENT SHALL SFC BE LIABLE FOR SPECIAL, INCIDENTAL OR CONSEQUENTIAL DAMAGES ARISING FROM OWNERSHIP OR USE OF THIS PRODUCT, OR FOR ANY DELAY IN THE PERFORMANCE OF ITS OBLIGATIONS UNDER THIS WARRANTY DUE TO CAUSES BEYOND ITS CONTROL.

SOME STATES DO NOT ALLOW LIMITATIONS ON HOW LONG AN IMPLIED WARRANTY LASTS AND/OR DO NOT ALLOW THE EXCLUSION OR LIMITATION OF CONSEQUENTIAL DAMAGES, SO THE ABOVE LIMITATIONS AND EXCLUSIONS MAY NOT APPLY TO YOU.

THIS WARRANTY GIVES YOU SPECIFIC LEGAL RIGHTS. YOU MAY HAVE OTHER RIGHTS, WHICH VARY FROM STATE TO STATE.



**FISHER AUDIO
MODEL RS-737 LIMITED WARRANTY**

OBLIGATIONS

In order to obtain warranty service, the product must be returned to and covered up from an Authorized Fisher Service Center in the U.S. or Canada. The product must be returned to the nearest Authorized Fisher Service Center. The product must be returned to the nearest Authorized Fisher Service Center. The product must be returned to the nearest Authorized Fisher Service Center. The product must be returned to the nearest Authorized Fisher Service Center.

1700 Corporate Drive, Suite 242
Houston, TX 77057
404-852-9800

600 Supreme Drive
Birmingham, AL 35202
708-390-1508

1200 W. Alameda Blvd.
Duluth, GA 30030
310-852-8830

130 River Road
Little Ferry, NJ 07643
212-641-0000

CUSTOMER INFORMATION CENTER 1-800-451-5912
Weekdays 8:30 AM - 5:00 PM Pacific Time

THIS WARRANTY IS VALID ONLY ON FISHER PRODUCTS PURCHASED OR RENTED AND USED IN THE UNITED STATES OF AMERICA. THIS WARRANTY APPLIES ONLY TO THE ORIGINAL REPAIR USER, AND DOES NOT APPLY TO PRODUCTS USED FOR ANY INDUSTRIAL, PROFESSIONAL OR COMMERCIAL PURPOSE. THE ORIGINAL DATED BILL OF SALE, SALES SLIP OR RENTAL AGREEMENT MUST BE SUBMITTED TO THE AUTHORIZED FISHER SERVICE CENTER AT THE TIME WARRANTY SERVICE IS REQUESTED.

Subject to the OBLIGATIONS, EXCLUSIONS and EXCLUSIONS below, FISHER AUDIO CORPORATION (FAC) warrants the FISHER product against defects in material and workmanship for the period of LABOR and PARTS specified below. FAC will repair or replace (at its option) the product and pay all costs which are in excess of the warranty. The warranty period commences on the date the product was first purchased or rented. It shall be void if the product is not used in accordance with the instructions.

LABOR	PARTS
2 YEARS	2 YEARS

EXCLUSIONS

This warranty does not cover (a) the replacement of customer-owned controls as explained in the appropriate model's instruction manual, or (b) the repair of any product which has been altered, damaged or removed.

This warranty shall not apply to the extent of customer repair, warranty, prior, damage or routine maintenance.

This warranty does not apply to warranty, repair, installation, removal or the product for repair, or installation of the product after repair.

This warranty does not apply to repairs or replacements necessitated by any cause beyond the control of FAC including, but not limited to, any fire, flood, theft or damage caused by or resulting from unauthorized service to the product, improper maintenance, operation contrary to limited instructions, shipping or transit accidents, installation or repair by the user, shock, misuse, neglect, accident, tampering, alteration, fire, flood or other Act of God, or normal wear and tear.

The foregoing is in lieu of all other expressed warranties and FAC does not assume or authorize any party to assume for any other obligation or liability.

THE DURATION OF MY WARRANTIES WHICH MAY BE IMPLIED BY LAW (INCLUDING THE WARRANTIES OF MERCHANTABILITY AND FITNESS) IS LIMITED TO THE TERM OF THIS WARRANTY AND EVENT SHALL FAC BE LIABLE FOR SPECIAL, INCIDENTAL OR CONSEQUENTIAL DAMAGES ARISING FROM OWNERSHIP OR USE OF THE PRODUCT OR FOR ANY DELAY IN THE PERFORMANCE OF ITS OBLIGATIONS UNDER THIS WARRANTY DUE TO CAUSES BEYOND ITS CONTROL.

SOME STATES DO NOT ALLOW LIMITATIONS ON HOW LONG AN IMPLIED WARRANTY LASTS AND/OR DO NOT ALLOW THE EXCLUSION OR LIMITATION OF CONSEQUENTIAL DAMAGES, SO THE ABOVE LIMITATIONS AND EXCLUSIONS MAY NOT APPLY TO YOU.

THIS WARRANTY GIVES YOU SPECIFIC LEGAL RIGHTS. YOU MAY HAVE OTHER RIGHTS WHICH VARY FROM STATE TO STATE.



21350 Lassen Street Chatsworth CA 91311